

THIS DRAWING IS UNPUBLISHED.

RELEASED FOR PUBLICATION

2000

© COPYRIGHT 2000

ALL RIGHTS RESERVED.

LOC
A1

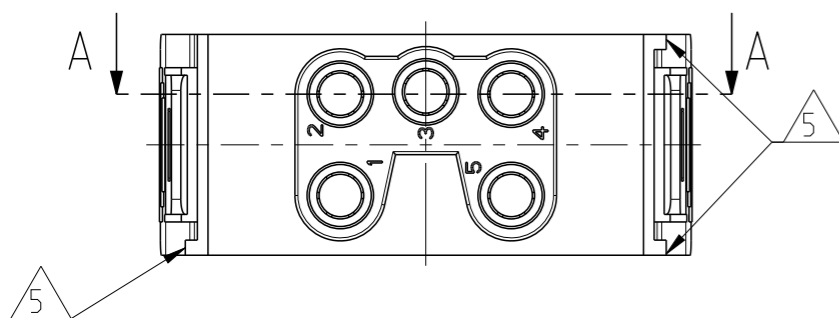
DIST

REVISIONS

P	LTR	DESCRIPTION	DATE	DWN	APVD
B3		ECR - 10 - 001843	09FEB2010	GW	OH
C1		ECR-10-019610	21SEP2010	SR	OH
D		ECR-15-007486	06JUN2015	GSK	JB

PN 0-1 As Shown

Contact arrangement
view from connecting side

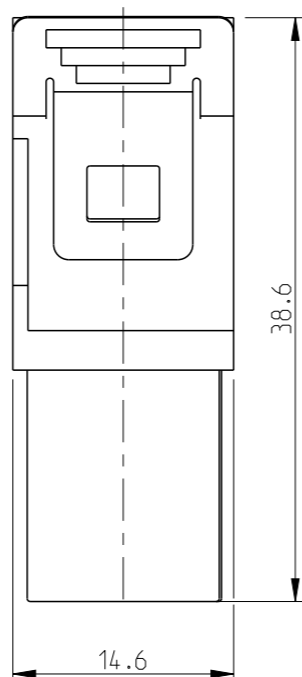
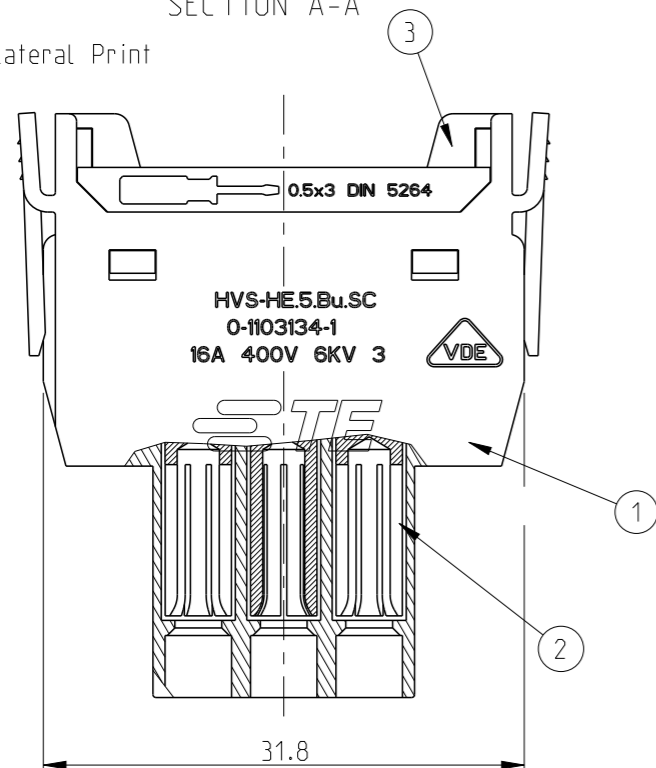


NOTES

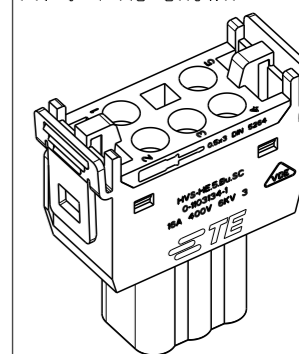
- 1 CONTACT:1 TO 5
OUTER DIMENSIONS OF INSULATION: MAX. Ø4.9mm
- 2 SUITABLE MODULE FIXING FRAME: SERIES HVS SIZE 3 TO 8
CUSTOMER DRAWING: 1103250
- 3 SUITABLE INSERTION AND EXTRACTION TOOL:
SCREW DRIVER 0.3x5 DIN5264
- 4 STANDARDS:
DIN EN 61984; DIN EN 60664-1
- 5 POLARIZATION RIBS
- 6 MARKING OF POLARIZATION ACCORDING TO MARKING OF
MODULE FRAME
- 7 PACKAGING:
10 SETS IN A CARTON, PRE-MOUNTED
- 8 AUTHORIZATION VDE

SECTION A-A

Lateral Print

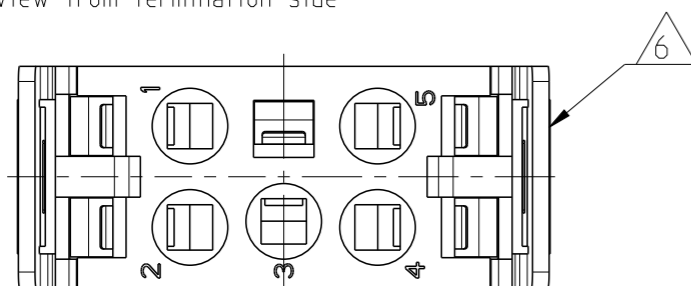


PN 0-1 As Shown



SCALE 1:1

Contact arrangement
view from termination side



QTY	DESCRIPTION	MATERIAL	SURFACE	COLOR	NOTE	ITEM
1	FEMALE INSERT HVS-HE.5	PBT-GF10		LIGHT GREY		1
5	SOCKET CONTACT					2
1	COVER HVS-HE.5	PBT-GF15		LIGHT GREY		3

THIS DRAWING IS A CONTROLLED DOCUMENT.

DIMENSIONS:
mm



MATERIAL



TOLERANCES UNLESS OTHERWISE SPECIFIED:

ISO 2768 mH-E
DIN 16901-120

0 PLC ±
1 PLC ±
2 PLC ±
3 PLC ±
4 PLC ±
ANGLES ±

FINISH



DWN 31.05.2005
M.SCHWEIGER

CHK 31.05.2005
T.SCHNURPFEL

APVD 31.05.2005
T.SCHNURPFEL

PRODUCT SPEC
108-74071

APPLICATION SPEC
114-74073

WEIGHT



NAME
FEMALE INSERT ASSY
HVS-HE.5.BU.SC

SIZE A3 CAGE CODE 00779 DRAWING NO C-1103134 RESTRICTED TO

CUSTOMER DRAWING SCALE 2:1 SHEET 1 OF 1 REV D